

*"Seals Unit & Seals Unit Extension "*

**Description**

The seals unit provide positive seal to higher pressures and temperatures. Many types of seals units are available, and others can be designed to fit specific needs. Molded seal units and Premium seals are the major seals units.

Seals unit extensions are designed for use with seal units. Seals unit extension can be provided upon request.

**Application**

Molded seals are recommended for applications in which the seal will be going in and out of the sealbore.  
Premium seals are ideal for applications requiring the seal units to remain in the sealbore.

**Features**

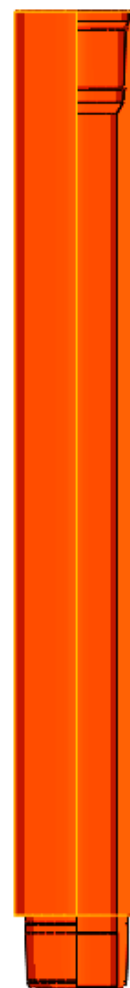
All seal units are designed for easy field redress, bonded seals and v-packing. Premium seal units are v-packing seal systems of either elastomeric or plastic materials with a plastic and metal backup system.  
Various backup material combinations can be used with each v-packing seal to make it suitable for different temperatures and pressures.

**Benefits**

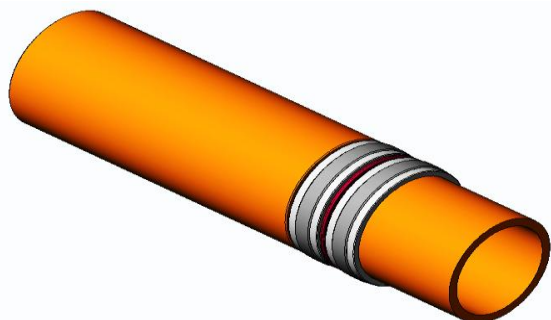
Customisable & reliable

**Technical Specification & Sizes**

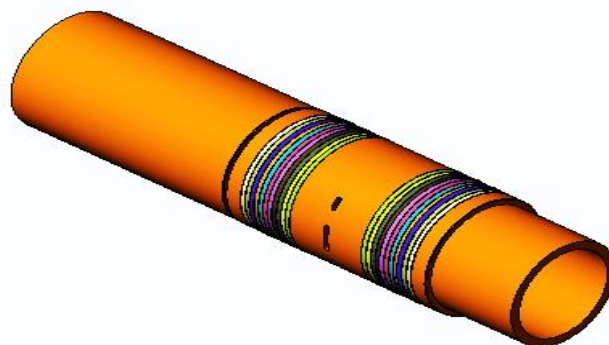
Description	Value
Thread Sizes	Available at the customer's request
Services	H2S/CO2/Standard/Sour
Length	Available at the customer's request



**Extension**



**Molded Seal Unit**



**Premium Seal Unit**

**PRODUCT CODE: SH507- SU**